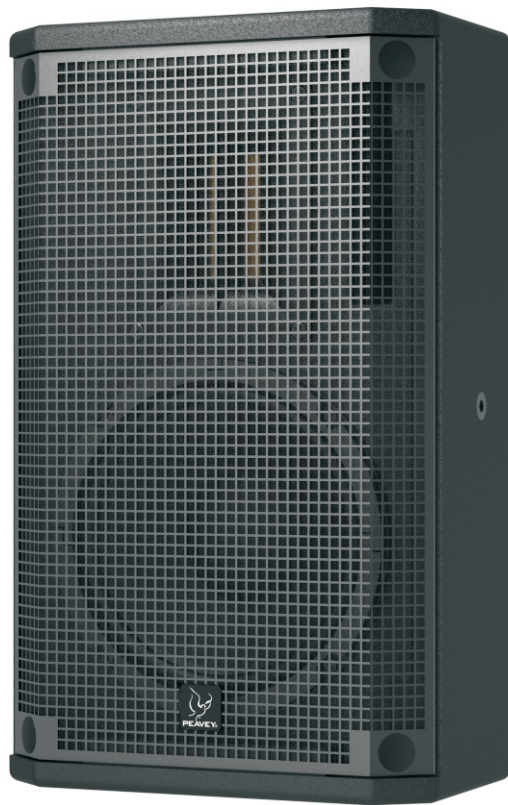


Lark 6 Loudspeaker System

User Guide



Lark 6

The Peavey® Lark 6 is a 2-way speaker system, consists of 6.5 inch premium woofer and 3 inch ribbon tweeter. Enclosure is constructed of 12mm birch plywood with textured polyurea paint. Lark 6 can provide a rated power of 100W. Lark 6 input connections are made using a 4-pin phoenix connector. Lark 6 is available in black or white finishes.

Lark 6 is of ribbon tweeter design, light diaphragm, super fast transient response, resulting in excellent clarity experience. The polar response in the Horizontal plane is very smooth and precise. The high frequency phase response is better than with a typical compression driver and horn.

FEATURES

- High-fidelity sound quality
- 6.5 inch premium woofer
- 1×3" ribbon tweeter
- 12mm birch plywood with textured polyurea paint
- Sound Guard™ tweeter protection system
- Metal grille protect the drivers
- Exquisite craft, ultra-thin enclosure, unique appearance

SPECIFICATIONS

- **Product type:** Loudspeaker system
- **Product model:** Lark 6
- **System type:** 2 way full range
- **Powered:** No
- **Acoustic design:** Front Loaded, bass reflex
- **Crossover type:** Passive
- **HF section:** 3"×1, ribbon, neodymium
- **LF section:** 6.5"×1, paper cone, ferrite
- **Frequency response:** 105Hz~28KHz (-3dB)
- **Frequency range:** 85Hz~30KHz (-10dB)
- **Coverage:** 100°×30° (H×V)
- **Max SPL:** 112dB (continuous), 118dB (peak)
- **Power Handling:** 100W (continuous), 400W (peak)
- **Nominal impedance:** 8Ω
- **Matching amplifier:** Lark1600 (Input sensitivity 1.0V, limiter threshold -5dBu)
- **Signal input:** Phoenix terminal×4, + -
- **Installation:** M6 hanging point×4, wall mount / U-shaped mount (optional)
- **Finish:** Black / white, matte texture
- **Cabinet material:** 12mm birch plywood
- **Certification:** CE
- **Product Dimensions:** height 350, width 214, depth 156 (mm)
- **Package Dimensions:** height 405, width 285, depth 230 (mm)
- **Net weight:** 4.4kg (9.7lbs)

Flying/Rigging Information

Mounting Information

Lark 6 can be mounted using a Peavey® Versamount™ 35 wall mounting bracket.

Loudspeakers are to be installed securely by qualified personnel, respecting all safety standards. Make sure the support structure (wall/ceilings) has the necessary mechanical characteristics for the loudspeaker weight, without the risk of a fall that could damage things or cause an injury. Use attachments elements suitable for walls/ceilings (e.g. wall plugs for bricks, concrete, etc.) Do Not suspend a loudspeaker by using only one of its mounting insert points. Failure to follow proper rigging specifications listed in the manual may result in injury or death.

Remove the hex screw from the proper holes to mate a Peavey® Versamount™ 35 mounting bracket to the rear of the cabinet.

Apply a thread-locker liquid on the threaded part of the bolts. Tighten the four M6 bolts firmly into the inserts on the rear side.

CAUTION: ALWAYS USE SAFETY CHAIN.

This system should be suspended using certified rigging hardware by an authorized rigging professional and in compliance with local, provincial and national suspension ordinances or regulations.
INSPECT RIGGING ANNUALLY.

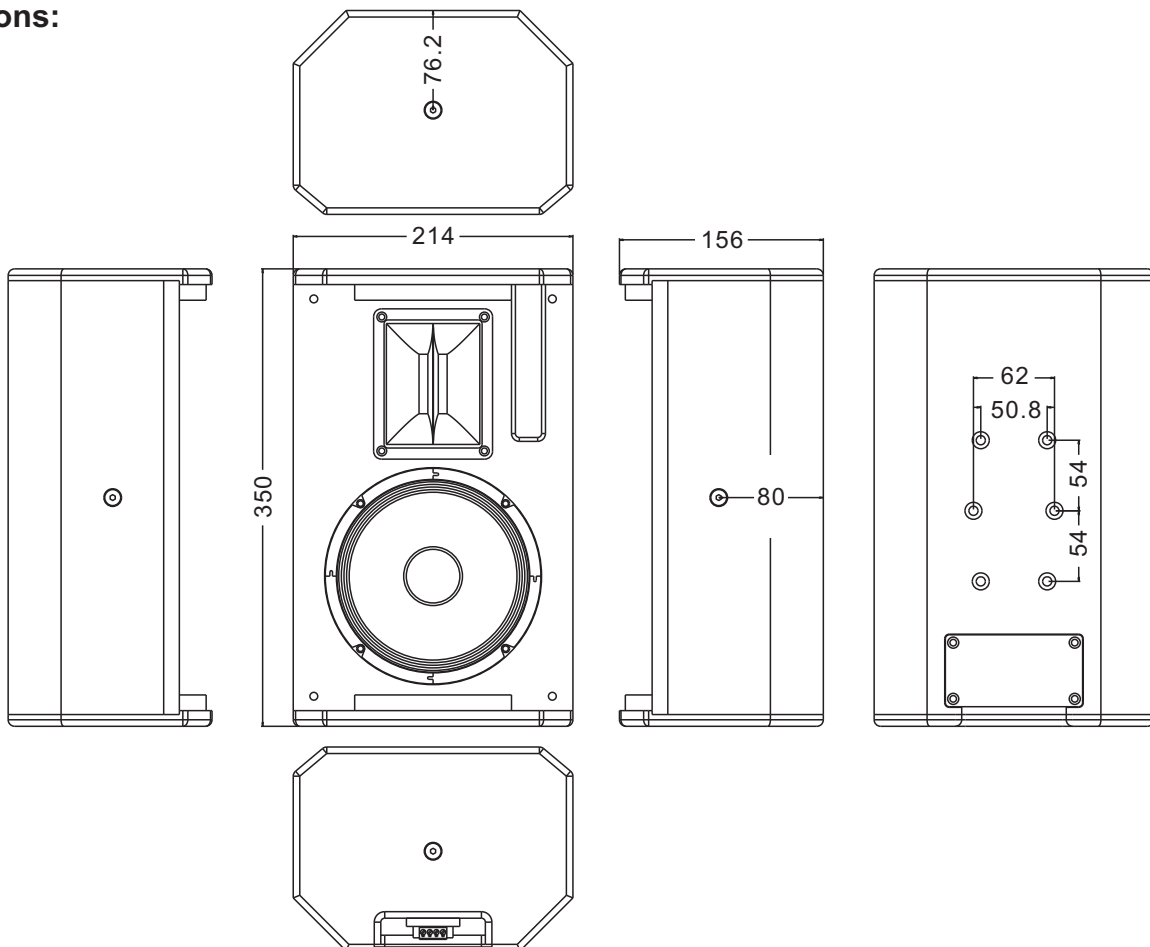
DO NOT SUSPEND OR MOUNT ANY OTHER PRODUCT OR DEVICE FROM THIS ENCLOSURE!

Use only grade 8.8 hardware or better, or whatever local, provincial or national suspension ordinances or regulations may additionally require. Maximum enclosure angle 30 degrees. Use only the correct mating hardware. All associated rigging is the responsibility of others.

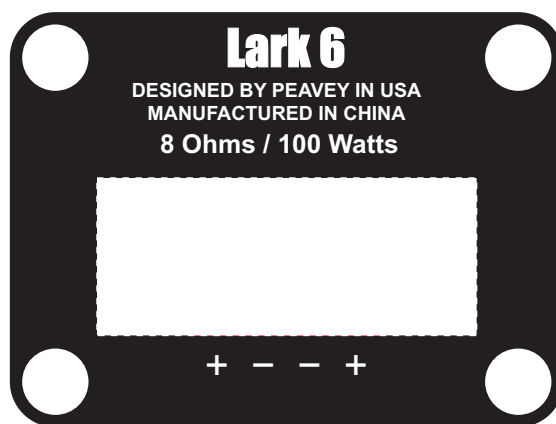
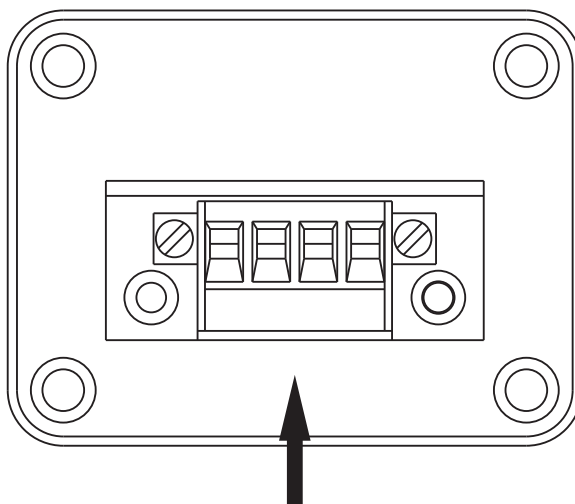
DO NOT OVER TORQUE HARDWARE. ALWAYS USE PROPER GRADE HARDWARE.

Dimensions:

Unit: mm



Input Plate




Back Plate



Aluminum Shield

Lark 6 loudspeaker system basic optimization data V1.0

Outward				
Model	Lark 6			
Amplifier	Lark 1600 (Input sensitivity 1.0V)			
Controller	Lark 88			
Limiter	Ratio: Limit	Threshold: -5 dB	Attack: 50 ms	Release: 500 ms
Xover	HPF: 80.6~96.9 Hz	Type: LK-24 dB	LPF: 20.16 KHz	Type: Bypass
PEQ1	Freq: 1.26 KHz	Gain: +2 dB	Q: 3	Type: Peak
PEQ2	Freq: 2.00 KHz	Gain: -4 dB	Q: 3	Type: Peak
PEQ3	Freq: 4.49 KHz	Gain: +2 dB	Q: 2.5	Type: Peak
PEQ4	Freq: 10.31 KHz	Gain: -3 dB	Q: 3	Type: Peak
Delay	None			
Polarity	Normal			
Level	0 dB			



www.peavey.com

Warranty registration and information for U.S. customers available online at
www.peavey.com/warranty
or use the QR tag below



Features and specifications subject to change without notice.

Peavey Electronics Corporation 5022 Hartley Peavey Drive Meridian, MS39305 (601)483-5365 FAX(601) 486-1278



Logo referenced in Directive 2002/96/EC Annex IV
(OJ(L)37/38, 13.02.03 and defined in EN 50419: 2005
The bar is the symbol for marking of new waste and
is applied only to equipment manufactured after
13 August 2005